

**efi** sales Ltd.

Equipment for the Foodservice Industry

value + quality + service

## MERCHANDISER OPEN BLACK

### 52x42"

CGOM-5242



#### CGOM-5242

#### Features

Features:

- Wood plastic black board exterior
- Stainless steel louver
- Internal LED illumination on sides
- Digital temperature controller and display
- Includes night curtain
- R290 Refrigerant
- Refrigeration system holds 35.6°F to 50°F (2°C to 10°C)
- Ventilated cooling system
- Automatic defrost system
- Condensation water evaporated automatically
- Casters with brakes make it easy to move and clean underneath

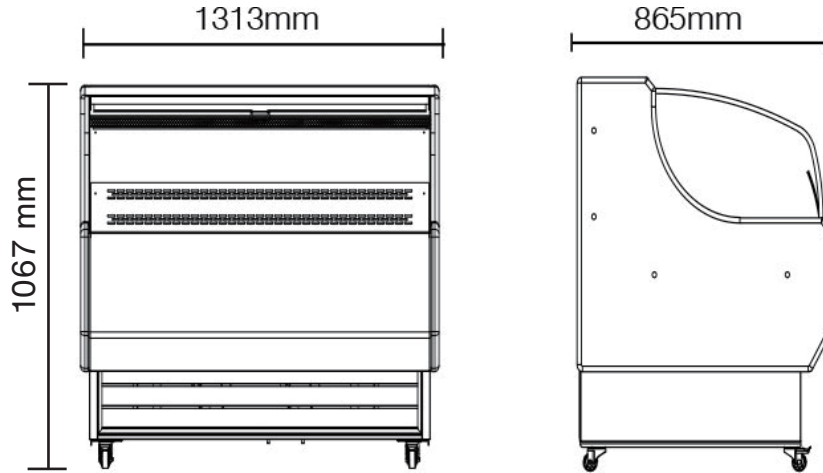
Warranty:


- Two year parts and labour; Five years on compressor. For full warranty details visit <https://www.efifoodequip.com/warranty-info.php>



**CGOM-5242**

**Specifications**



Model	Refrigerant	Cabinet Dimensions (inches) (mm)			Capacity (L) (Cu Ft.)	HP	Voltage	Amps	Net Weight (KG) (LBS)	NEMA Config.
		L	D	H						
CGOM-5242	R290	51.7 1313	34.1 865	42 1067	370 13	3/4	110/60	12.7	157 346.1	5-15P 

Specifications subject to change without notice.