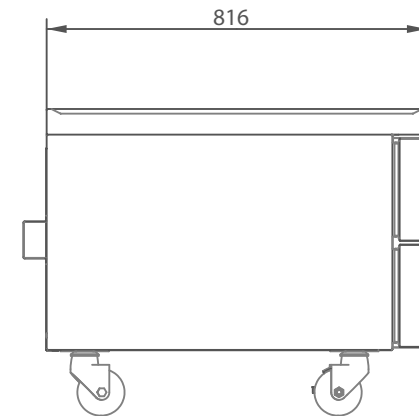
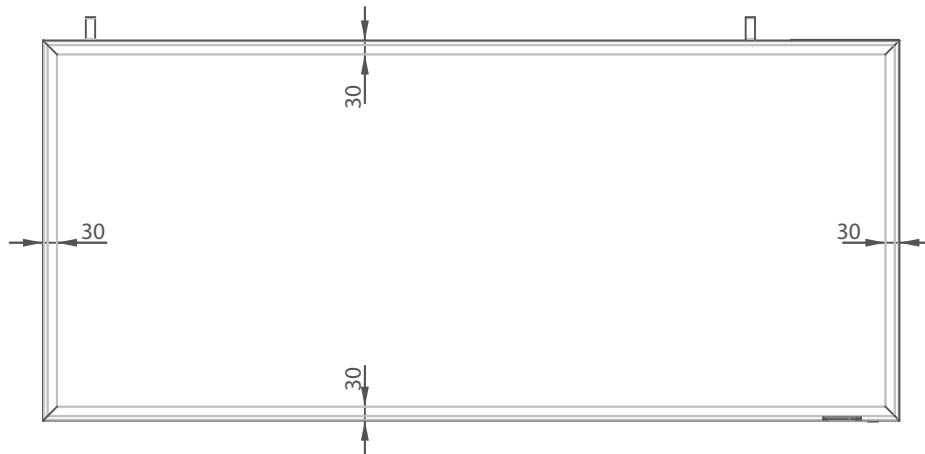
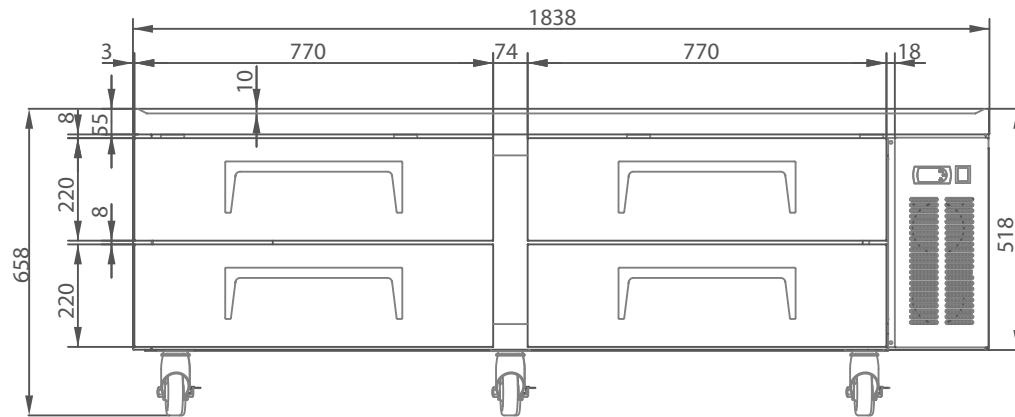


Equipment for the Foodservice Industry  
value + quality + service

VANCOUVER, BC  
TORONTO, ON



**CCB-72**